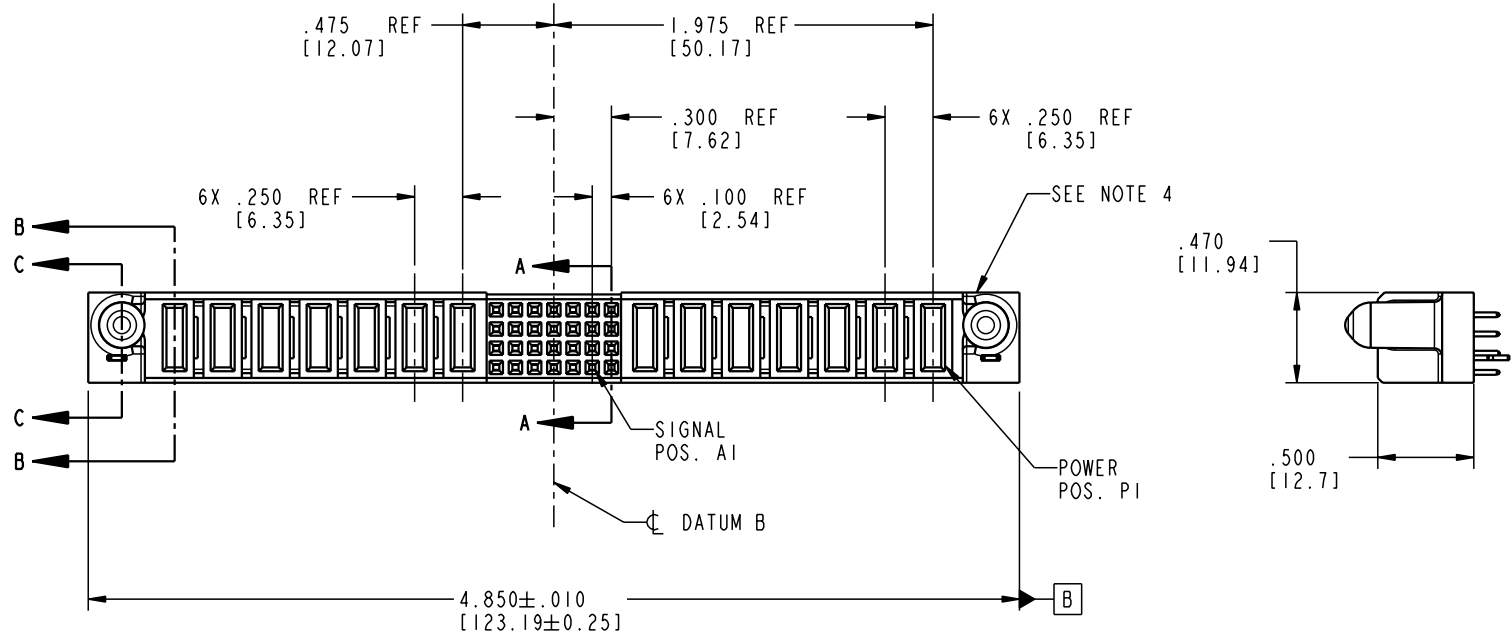


Tous droits strictement réservés. Reproduction ou communication o des liens interdite sous quelque forme que ce soit sans autorisation écrite du propriétaire. Propriété de c FCI. Droits de reproduction FCI.

All rights strictly reserved. Reproduction or issue to third parties in any form whenever is not permitted without written authority from the proprietor. Property of FCI. Copyright FCI.

PRODUCT NO.	ROWS	POWER							SIGNAL							POWER								
		E2	P14	P13	P12	P11	P10	P9	P8	7	6	5	4	3	2	1	P7	P6	P5	P4	P3	P2	P1	E1
51740-10702807AA	D C B A		PA	PA	PA	PA	PA	PA	PA	EEEEEEEE	EEEEEEEE	EEEEEEEE	EEEEEEEE	EEEEEEEE	EEEEEEEE	EEEEEEEE	PA	PA	PA	PA	PA	PA	PA	



CODE	DIM "M" MATING LENGTH	CONTACT TYPE
E	N/A [N/A]	SIGNAL
PA	.042 [1.07]	POWER
HA	N/A [N/A]	HOLD-DOWN

mat'l code				SEE NOTE 2		tolerances unless otherwise specified		CUSTOMER		 www.fciconnect.com	
ltr	ecn no.	dr	date	linear	.XX±.01/0.X±0.3		COPY		title		
A	V21876	CGD	12/11/02		.XXX±.005/0.XX±0.13		projection		7P + 28S + 7P		
					.XXX±.0020/0.XX±0.051				VERTICAL SOLDER RECEPT		
				angles	0° ± 2°		INCH/MM		product family		code
				dr	C. DAILY	12/11/02	scale		PwrBlade		213
				engr	M. MOSTOLLER	12/11/02	1:1		size		sheet
				chr	M. MOSTOLLER	12/11/02			dwg no		1 of 4
				appd	M. MOSTOLLER	12/11/02			A 51740-10702807AA		
sheet index	revision sheet	A	A	A	A						
		1	2	3	4						

Pro/E

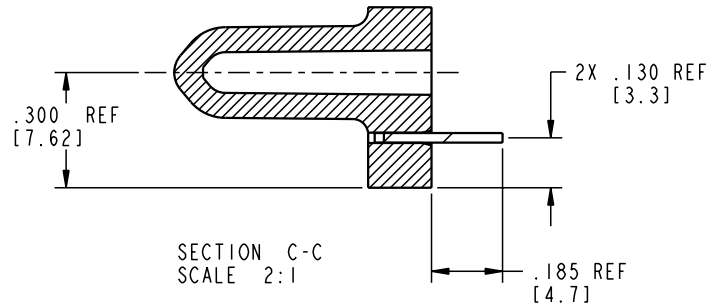
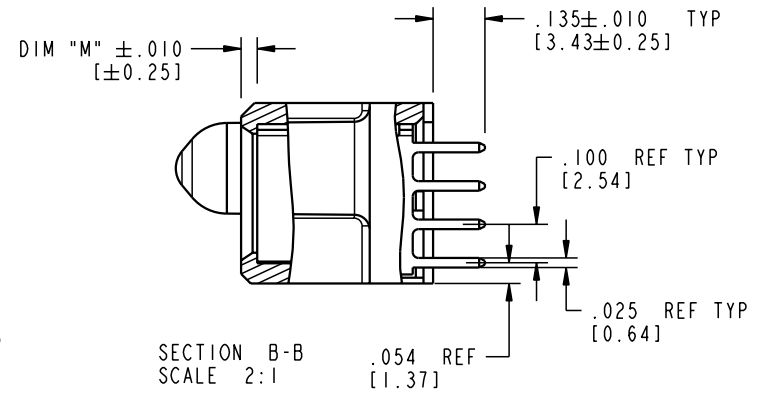
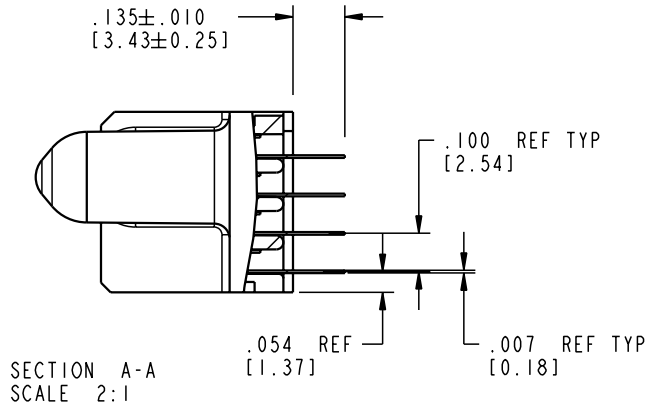
cage code 22526

Tous droits strictement réservés. Reproduction ou communication o des tiers interdite sous quelque forme que ce soit sans autorisation écrite du propriétaire. Propriete de c FCI. Droits de reproduction FCI.

All rights strictly reserved. Reproduction or issue to third parties in any form whatever is not permitted without written authority from the proprietor. Property of FCI. Copyright FCI.

A
FCI

PRODUCT NUMBER
51740-10702807AA



mat'l code				SEE NOTE 2		tolerances unless otherwise specified		CUSTOMER		 www.fciconnect.com	
ltr	ecn no.	dr	date	linear	.XX±.01/0.X±0.3		COPY		 title 7P + 28S + 7P VERTICAL SOLDER RECEIPT		
A					.XXX±.005/0.XX±0.13		projection				
					angles	.XXX±.0020/0.XXX±0.051		 INCH/MM		product family PwrBlade code 213	
						dr	C. DAILY	12/11/02	scale 1:1		size dwg no 51740-10702807AA sheet 2 of 4
				enr	M. MOSTOLLER	12/11/02					
				chr	M. MOSTOLLER	12/11/02					
				appd	M. MOSTOLLER	12/11/02					
sheet index		revision sheet									

Pro/E

cage code **22526**

PDM: Rev:A

STATUS: **Released**

Printed: Aug 14, 2007

Tous droits strictement réservés. Reproduction ou communication o des tiers interdite sous quelque forme que ce soit sans autorisation écrite du propriétaire. Propriété de c FCI. Droits de reproduction FCI.

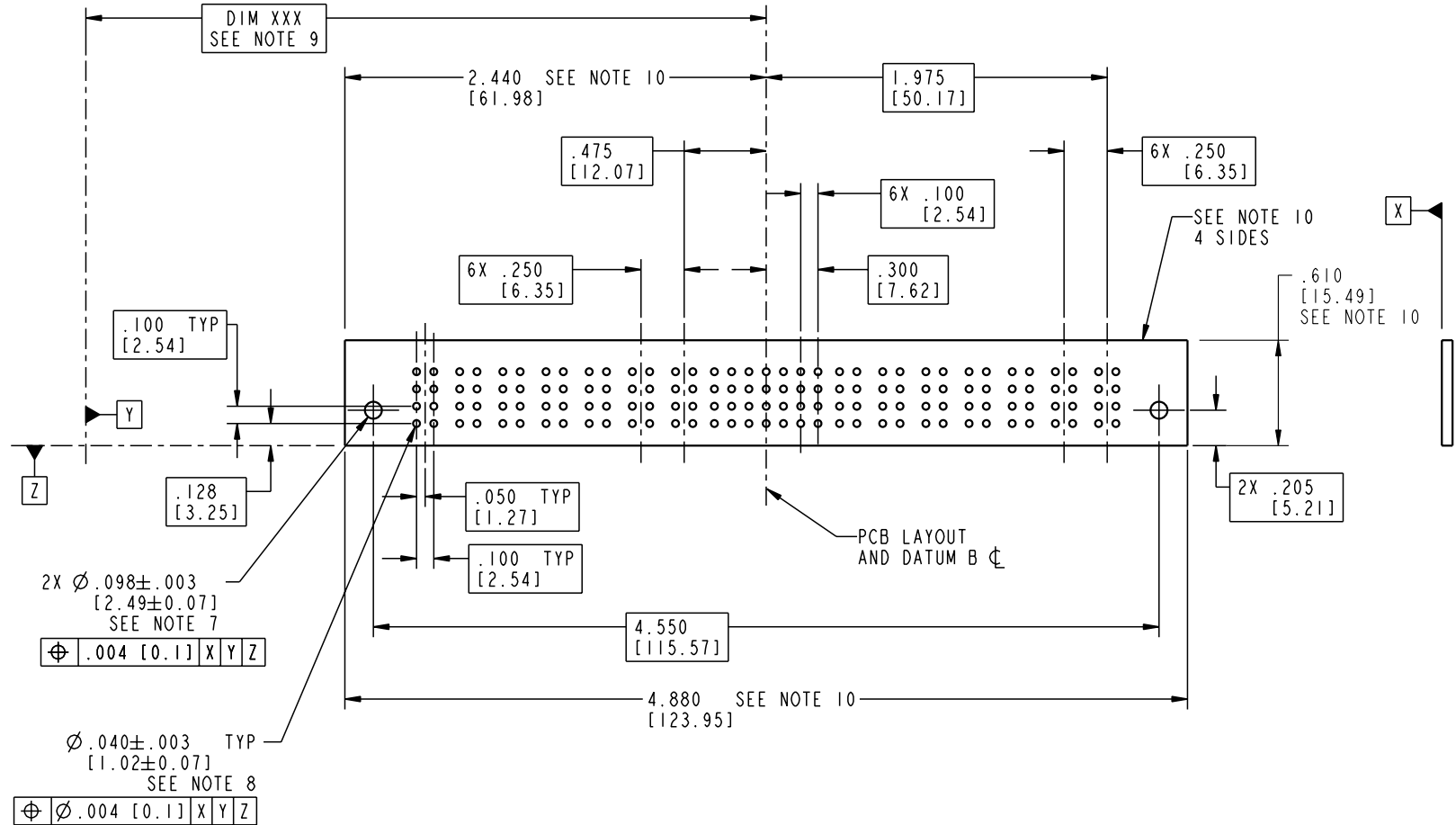
A FCI

All rights strictly reserved. Reproduction or issue to third parties in any form whatever is not permitted without written authority from the proprietor. Property of FCI. Copyright FCI.

A

B

PRODUCT NUMBER
51740-10702807AA



A

B

mat'l code		SEE NOTE 2		tolerances unless otherwise specified		CUSTOMER		 www.fciconnect.com	
ltr	ecn no.	dr	date	linear	.XX ± .01/0.X ± 0.3	COPY		title	
A				angles	.XXX ± .005/0.XXX ± 0.13	projection		7P + 28S + 7P	
				dr	.XXX ± .0020/0.XXX ± 0.051	 INCH/MM		VERTICAL SOLDER RECEIPT	
				enr	0° ± 2°	product family		PwrBlade	
				chr	C. DAILY 12/11/02	size		code	
				appd	M. MOSTOLLER 12/11/02	scale		213	
					M. MOSTOLLER 12/11/02	A 51740-10702807AA		3 of 4	
sheet index	revision sheet					scale 1:1			

cage code 22526

Pro/E

PDM: Rev:A

STATUS: Released

Printed: Aug 14, 2007

Tous droits strictement réservés. Reproduction ou communication o des tiers interdite sous quelque forme que ce soit sans autorisation écrite du propriétaire. Propriété de c FCI. Droits de reproduction FCI.

A
FCI

All rights strictly reserved. Reproduction or issue to third parties in any form, whenever is not permitted without written authority from the proprietor. Property of FCI. Copyright FCI.

B

PRODUCT NUMBER
51740-10702807AA

NOTES:

1. DIMENSIONS AND TOLERANCES ARE IN ACCORDANCE WITH ASME Y14.5M, 1994 UNLESS OTHERWISE SPECIFIED.

CONNECTOR NOTES:

- ② HOUSING MATERIAL: UL 94 V-0 GLASS FILLED
HIGH-TEMP THERMOPLASTIC
POWER CONTACT MATERIAL: COPPER ALLOY
SIGNAL PIN MATERIAL: COPPER ALLOY
- 3. PLATING:
SIGNAL PINS: 30u"/0.76um Au OVER 50u"/1.27um Ni
POWER CONTACTS: 50u"/1.27um Ni UNDER ALL
WITH 30u"/0.76um Au ON CONTACT AREA
AND SnPb ON PCB INTERFACE

- ④ MANUFACTURER'S NAME, P/N, AND DATE CODE TO APPEAR ON THIS SURFACE.

5. PRODUCT SPECIFICATION GS-12-149.
APPLICATION SPECIFICATION BUS-20-067.


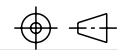
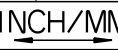
PCB NOTES:

- 6. ALL HOLE DIAMETERS ARE FINISHED HOLE SIZE.
- 7. MOUNTING HOLES, WHERE APPLICABLE, ARE UNPLATED.

- ⑧ $\varnothing .0453 \pm .0010$ [1.151 ± 0.025] DRILLED HOLES PLATED WITH .0003 [0.008] MIN SnPb OVER .001 [0.03] TO .003 [0.08] Cu PLATING TO ACHIEVE $\varnothing .040 \pm .003$ [1.02 ± .07] HOLE.

- ⑨ "DIM XXX" TO BE DETERMINED BY THE CUSTOMER.

- ⑩ CONNECTOR KEEP-OUT ZONE.

mat'l code				SEE NOTE 2		tolerances unless otherwise specified		CUSTOMER		 FCI www.fciconnect.com	
ltr	ecn no.	dr	date	linear	.XX±.01/0.X±0.3		COPY		 title 7P + 28S + 7P VERTICAL SOLDER RECEPT		
A					.XXX±.005/0.XX±0.13		projection				
				angles	.XXX±.0020/0.XXX±0.051		 INCH/MM		product family PwrBlade code 213 size dwg no 51740-10702807AA sheet 4 of 4		
					$0^{\circ} \pm 2^{\circ}$		scale 1:1				
				dr	C. DAILY	12/11/02					
				enr	M. MOSTOLLER	12/11/02					
				chr	M. MOSTOLLER	12/11/02					
				appd	M. MOSTOLLER	12/11/02					
sheet index	revision sheet										

A

B

1 | 2

3 |

4

1 | 2

Pro/E

3 |

cage code **22526**

4

PDM: Rev:A

STATUS: **Released**

Printed: Aug 14, 2007